

Static Analysis and Family-based Model Checking of Featured Transition Systems with VMC

Maurice ter Beek
Franco Mazzanti

Ferruccio Damiani
Luca Paolini
Giordano Scarso
Michele Valfrè

Michael Lienhardt

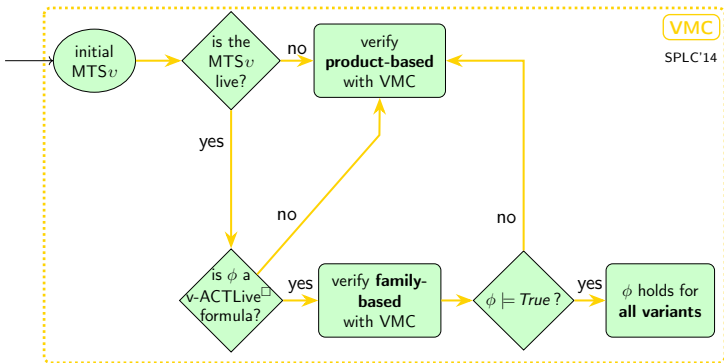
ISTI-CNR, Pisa, IT

University of Turin, IT

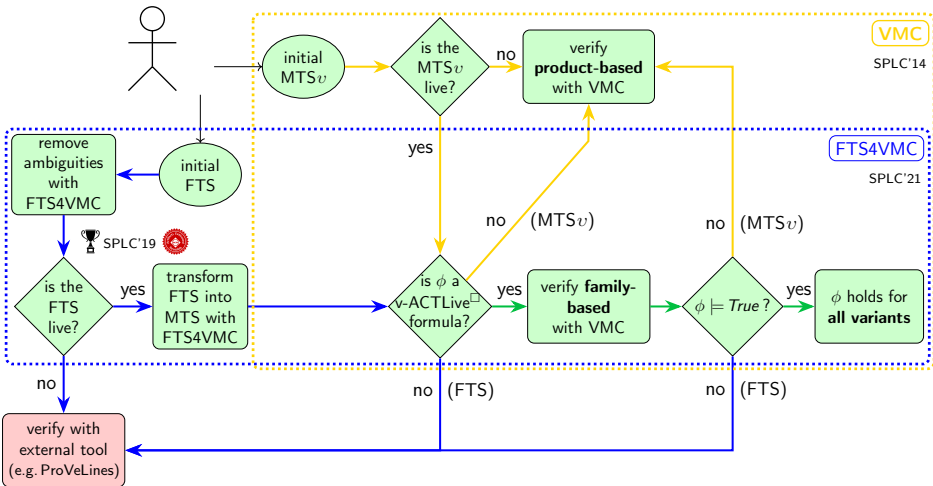
ONERA, Palaiseau, FR

SPLC 2021
Leicester, UK
September 8th, 2021

VMC: model checking MTS_v



FTS4VMC: front-end for VMC: model checking MTS_v /FTS



The FTS4VMC implementation is freely available online: <https://github.com/fts4vmc/FTS4VMC>